

WOODWORKS LINEAR





BENEFITS

- Attractive linear visual
- Easy to install, pre-engineered grid and plank system
- Acoustical performance for a more comfortable environment
- Range of laminate finish
- Two standard plank widths; 80mm or 130mm, with 20mm reveals
- Ceiling or wall application

APPLICATION AREAS

- Lobbies
- Reception Areas
- Retail Spaces
- Cafeterias
- Conference Rooms
- Closed Offices
- Auditoriums



COLOR SELECTION#

Laminate



Portland Maple
(PM)



Sea Beech
(SB)



Siam Wood
(SW)



Mystique Walnut
(MW)

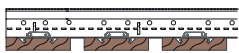
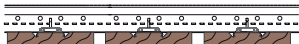
#Due to printing limitations, shade/color may vary from actual product.

Note:

- Contact your local Armstrong representative for more details.
- Shade variation among panels may occur for different batches of the same product

PHYSICAL DATA

System Selection

Edge Profile	Item Number	Dimensions	Acoustics: NRC
WOODWORKS Linear – Nominal 100mm Module 	WW08015_ _ LI	2400 x 100 x 15mm including 20mm reveal Open area: 18%	0.50 (without Glasswool) 0.85 (with Glasswool)
WOODWORKS Linear – Nominal 150mm Module 	WW13015_ _ LI	2400 x 150 x 15mm including 20mm reveal Open area: 12%	0.40 (without Glasswool) 0.65 (with Glasswool)

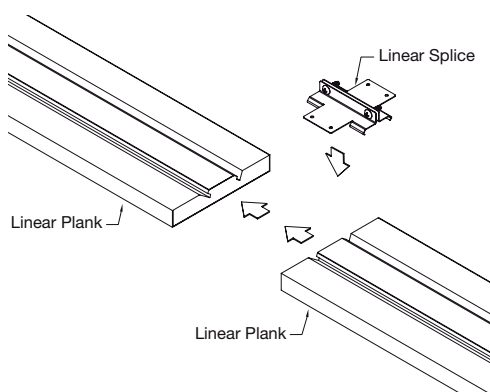
* Note: Acoustic values based on open area and other correlating WoodWorks test data.

Suspension System

Item Number	Description	Dimensions
BP734043BLW100 (factory applied) locking clips installed at 100mm centres	PeakForm Prelude XL 24mm Main Bars (Black) with integrated	3600 x 24 x 43mm
BP734043BLW150 (factory applied) locking clips installed at 150mm centres	PeakForm Prelude XL 24mm Main Bars (Black) with integrated	3600 x 24 x 43mm

ACCESSORIES AND SPECIFICATION

Item Number	Description	Item Number	Description
WWLS80	Linear Wood Plank Splice 80mm	WWLS130	Linear Wood Plank Splice 130mm



Linear Splice Detail

Specification: WOODWORKS Linear Planks with Black PeakForm Prelude 24mm Tee Suspension Grid, with factory pre-fitted locking clips. Main Bars to be installed at 600centres

Application: WOODWORKS are for interior application only

Panel Material: MR-MDF

Surface Finish: Laminate

Acoustic Inlay: Black acoustic felt as standard

Plank Sizes: 80mm / 130mm (Actual)
100mm / 150mm (Nominal)

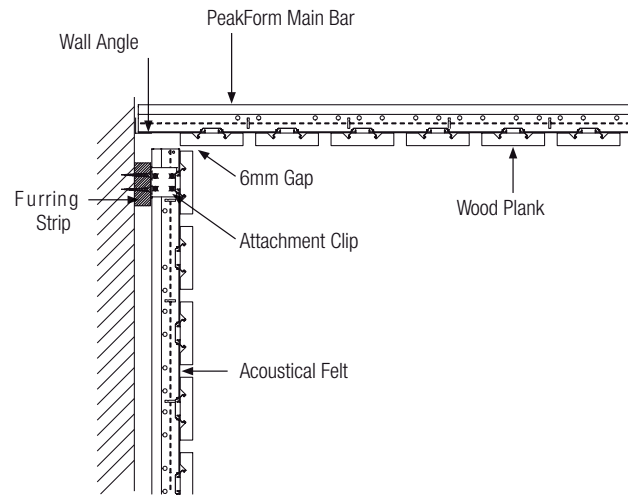
Perimeter Solutions: Range of standard Axiom aluminium wall angles, transition trims or pelmets

Item Numbers: Item numbers have three elements:

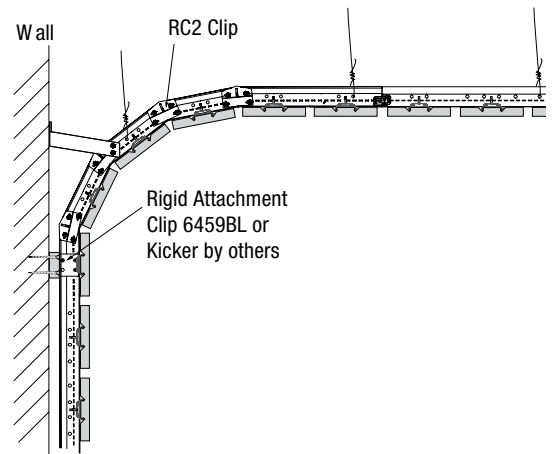
EXAMPLE: **WW08015** **PM** **LI**

↑
Finish:
Portland
Maple (PM)

CEILING TO WALL TRANSITIONS



90° Ceiling-to-Wall System Assembly



Curved Ceiling-to-Wall Transitions

CONTACT

Armstrong World Industries (India) Pvt. Ltd.

Boomerang, A-304, Chandivali Farm Road (near Chandivali Studio) Andheri (E), Mumbai - 400 072

Contact us: 1860 266 7080 | e-mail : helpdeskindia@armstrongceilings.com | www.armstrongceilings.in